

Use the OSM-1000 to simplify OSDP adoption, by upgrading a legacy access control system to the OSDP standard.

The OSMIUM OSDP-Wiegand Converter board connects an OSDP reader with a legacy Wiegand access controller. It can alternately convert a legacy Wiegand reader to OSDP protocol.

What is OSDP?

The Open Supervised Device Protocol (OSDP™) is an access control communications standard developed by the Security Industry Association (SIA) to improve interoperability among access control and security products. OSDP v2.1.7 is currently in-process to become a standard recognized by the IEC international standards organization, and OSDP is in constant refinement to retain its industry-leading position.

Why specify or adopt OSDP?

Already in wide use by many leading manufacturers like Cypress, HID Global, Mercury and others, the Security Industry Association encourages broad adoption of this standard and recommends specifying OSDP for any access control installations that require real security and/or will be used in government and other higher security settings. It is particularly valuable for government applications because OSDP meets federal access control requirements like PKI for FICAM.

Source: Security Industry Association

From <https://www.securityindustry.org/industry-standards/open-supervised-device-protocol>

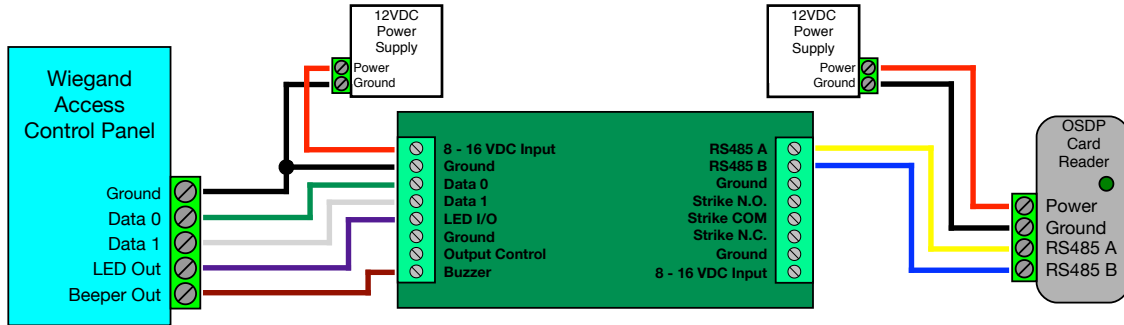
OSM-1000_200317

Cypress Integration Solutions 35+ Years of Access Control Ingenuity CypressIntegration.com

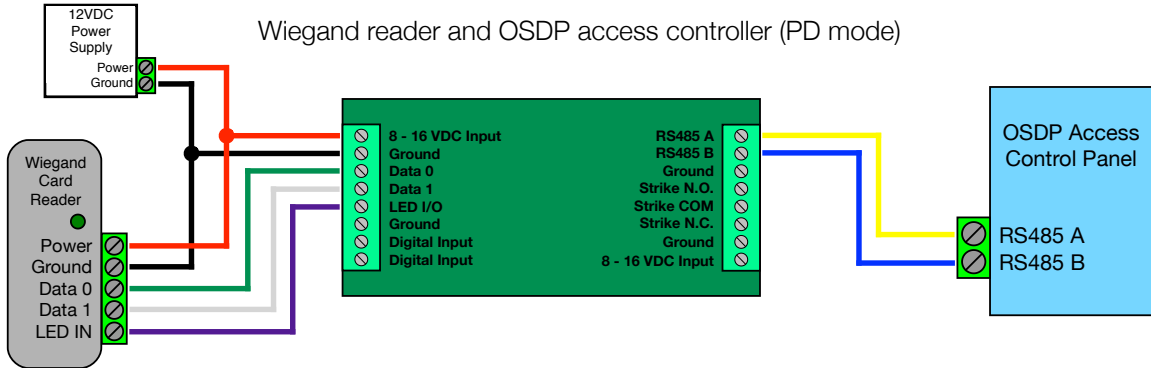
© 2019 Cypress Computer Systems 1778 Imlay City Road, Lapeer, MI 48446 800-807-2977



Wiegand access controller and OSDP reader (ACU mode)



Wiegand reader and OSDP access controller (PD mode)



Specifications

Ordering	OSM-1000 (board only)	UPC: 816684007743	
OSDP version	Conforms to Open Supervised Device Protocol (OSDP™) v2.2.0 and IEC Committee Draft Version 60839-11-5		
Physical	Dimensions	3.9 x 1.6 x 0.5 inches 9.90 x 4.064 x 1.27 cm	
	Weight	0.05 lbs. 0.22 kg	
Electrical	Supply voltage	8-16 Vdc current	
	Relays	Max switching	220Vdc 30W (resistive) 1A / 250Vac 37.5VA 1A
		Running spec with load	30Vdc 1A (resistive) / 125 Vac 0.3A (resistive), 1x10 ⁵ operations @ 20° C
Additional Features	Supports up to 256-bit Wiegand with GPIO including LED, REX/door position, lock and buzzer		
	Converts legacy Wiegand readers to OSDP protocol		
	Integrates legacy Wiegand panels with OSDP readers		

SIA's Open Supervised Device Protocol (OSDP) v2.2.0 communication standard benefits

- **Security:** OSDP Secure Channel halts Wiegand hacking with AES-128 encryption
- **Interoperability:** Mix-and-match devices to help future-proof systems
- **Functionality:** 2-way communication, access control that withstands the elements, multi-drop installations, 2 wires instead of 10+
- **Communication:** With OSDP's 2-way communication, the panel can query readers to find out capabilities, without physically reconfiguring devices. The panel is alerted if the reader does not answer its query.
- **Savings:** OSDP is scalable. It supports many more devices – and many more types of devices (such as readers, strike sensors and alarms) – than the Wiegand protocol.

Learn more at OSDP-Connect.com or CypressIntegration.com/OSDP