

OPTW-200 Quick Start Guide

Wiegand Signal Standardizer

Complete product manual at CypressIntegration.com



Product overview:

Some new RFID readers have a hybrid data interface, supporting both Wiegand and OSDP data connections using the same two wires. However, when operating in Wiegand mode, the Wiegand interface is not standard Wiegand. This creates issues when paralleling multiple Wiegand readers together. The OPTW-200 is designed to convert these hybrid Wiegand/OSDP interfaces into standard Wiegand.

What is included:

- OPTW-200
- Warranty
- Quick Start Guide

Product applications:

The OPTW-200 is necessary when paralleling multiple Wiegand readers together, when at least one reader has a non-standard hybrid data interface. It is used primarily in the following applications: high/low readers at vehicle gates, in/out readers at building entrances, and where a Wiegand reader with a non-standard interface cannot properly communicate with the access controller.

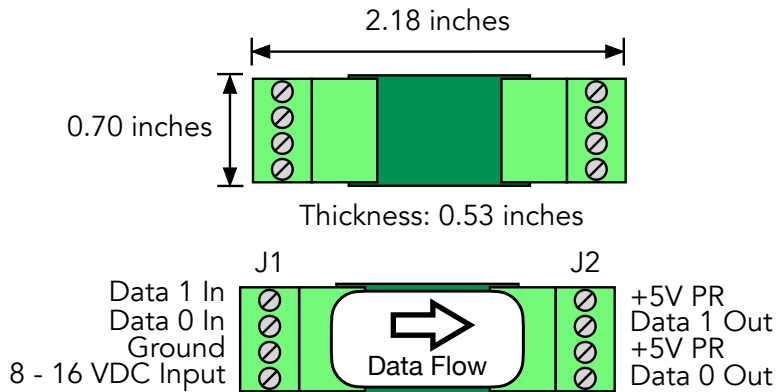
Bench testing:

With existing access control equipment:

Since bench testing is not practical in these applications, follow the appropriate Quick Start Guide wiring diagram, install the OPTW-200 with the existing equipment, and test the system thoroughly.

With new access control equipment:

Bench testing is recommended. Refer to the appropriate Quick Start Guide wiring diagram and set up a bench test accordingly before installing equipment in the field.



J1 Header:

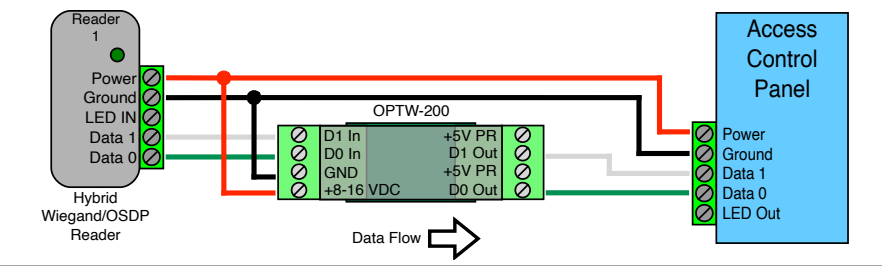
- Data 1 IN** - Wiegand Data Input 5-24 VDC
- Data 0 IN** - Wiegand Data Input 5-24 VDC
- Ground** - Power and Common Data Ground
- +8-16 VDC** - Power Input, 12 VDC @ 20mA

J2 Header:

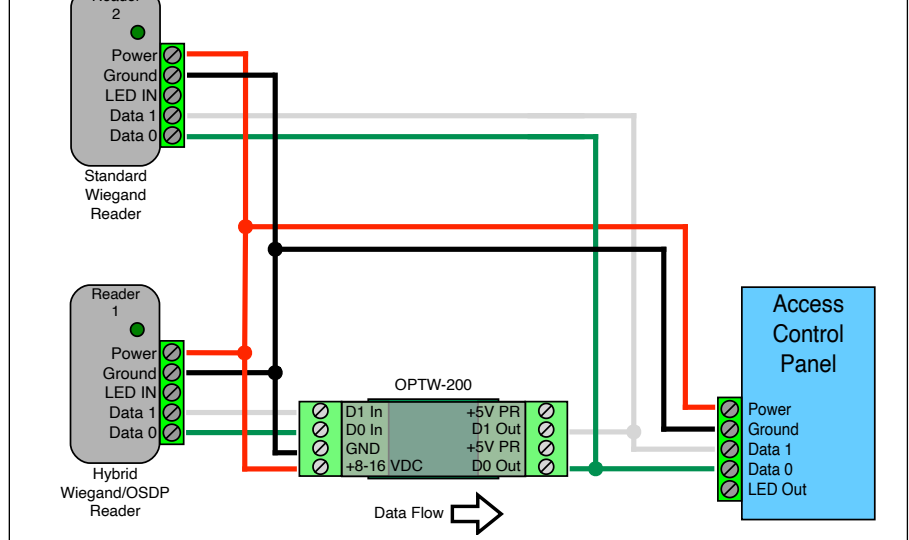
- +5V PR** - Connection to pull-up resistor, 1.5K @ 5VDC
- Data 1 OUT** - Wiegand Data Output 5 VDC
- +5V PR** - Connection to pull-up resistor, 1.5K @ 5VDC
- Data 0 OUT** - Wiegand Data Output 5 VDC

230623

Wiring Diagram - One Hybrid Wiegand/OSDP Reader to One Access Controller



Wiring Diagram - One Hybrid Wiegand/OSDP Reader and One Standard Wiegand Reader to One Access Controller



Wiring Diagram - Two Hybrid Wiegand/OSDP Readers to One Access Controller

