

ODM-2010_PS_231130

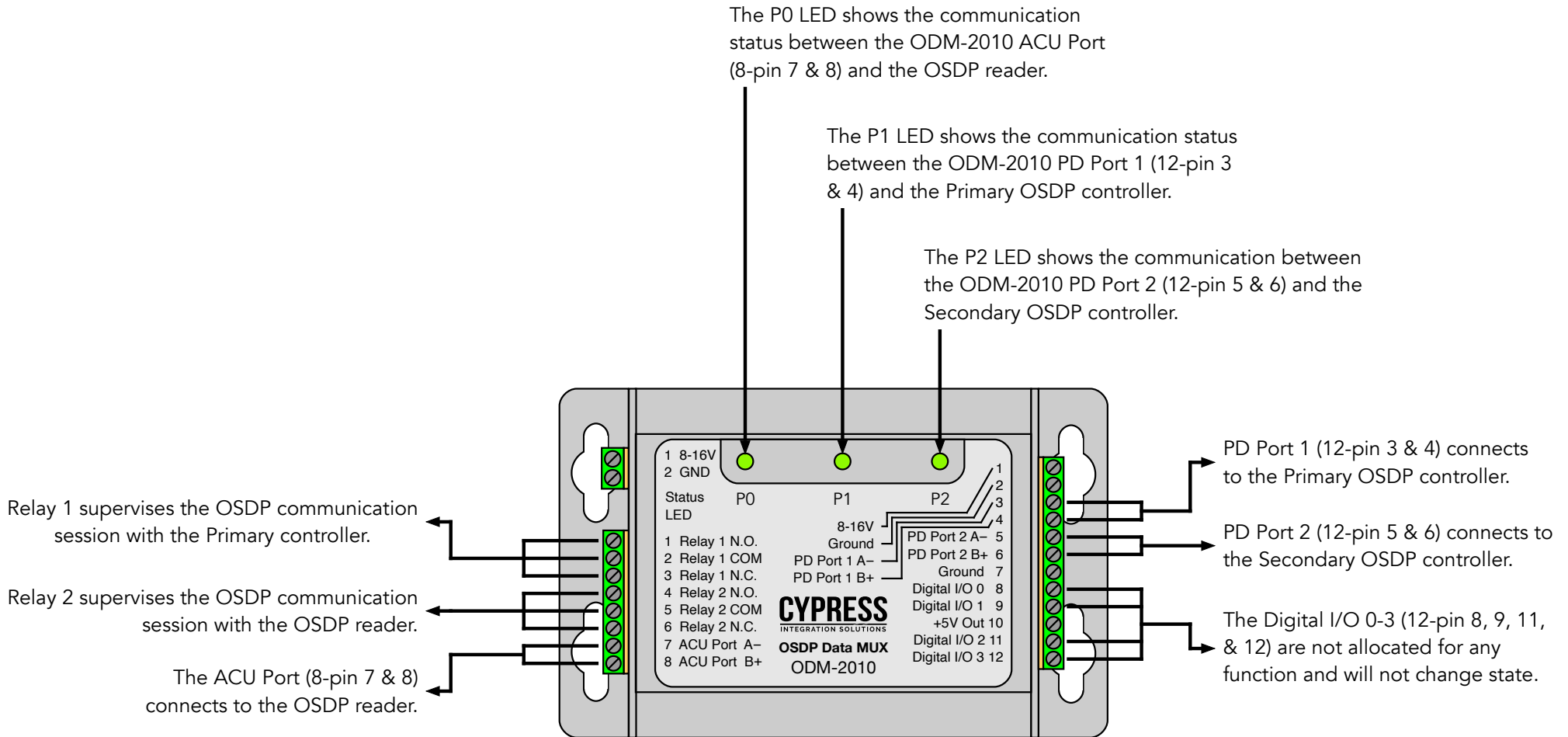
ODM-2010 Overview & Specifications

The ODM-2010 is an OSDP Mux or credential splitter that connects an OSDP reader with two OSDP access control systems. Credential data from the OSDP reader is routed to both OSDP systems. PD Port 1 connects to the Primary OSDP access controller, which has full control over the OSDP reader (send I/O messages such as LED and buzzer commands). PD Port 2 connects to the Secondary OSDP access controller, which only receives credential data (all commands are ignored).

Three LEDs indicate the status of each OSDP connection. Relay 1 is used to supervise the OSDP communication between the ODM-2010 and Primary access controller. Relay 2 is used to supervise the OSDP communication between OSDP reader and the ODM-2010. There are four digital I/O pins that normally do not have any function, but can be assigned functions in custom applications.

Specifications			
Part Number	Part Number	ODM-2010	
	UPC	816684005022	
Physical	Physical Dimensions (L x W x H)	4.50 x 2.85 x 0.94 inches 114.30 x 7.24 x 2.39 cm	
	OSDP Ports	3 OSDP Ports 1 ACU Port (Reader) and 2 PD Ports (Access Controller)	
Environmental	Operating Temperature Range	-40°F to 158°F -40°C to 70°C	
	Enclosure Rating	Not rated for water or dust intrusion.	
Electrical	Supply Voltage	8 - 16 Vdc @ 300 mA	
	Relays	Max Switching	220Vdc 30W (resistive) 1A / 250Vac 37.5VA 1A
		Running Spec with load	30Vdc 1A (resistive) / 125 Vac 0.3A (resistive), 1x10 ⁵ operations @ 20°C
LED Indicators	ACU Port LED (P0)	Indicates status of ACU Port (No Communication, Clear Channel Session, Secure Channel Session, Reader data)	
	PD Port LEDs (P1 & P2)	Indicates status of PD Ports (No Communication, Clear Channel Session, Secure Channel Session, Reader data)	

ODM-2010 Connections & LEDs



ODM-2010 Wiring Diagram

