



Use the OSM-1000 to easily migrate a legacy access control system to OSDP.

The OSMIUM OSDP-Wiegand Basic Converter is an OSDP-Wiegand converter board which connects an OSDP reader with a legacy Wiegand access controller.

What is OSDP?

The Open Supervised Device Protocol (OSDP™) is an access control communications standard developed by the Security Industry Association (SIA) to improve interoperability among access control and security products. OSDP v2.1.7 is currently in-process to become a standard recognized by the American National Standards Institute (ANSI), and OSDP is in constant refinement to retain its industry-leading position.

Why specify or adopt OSDP?

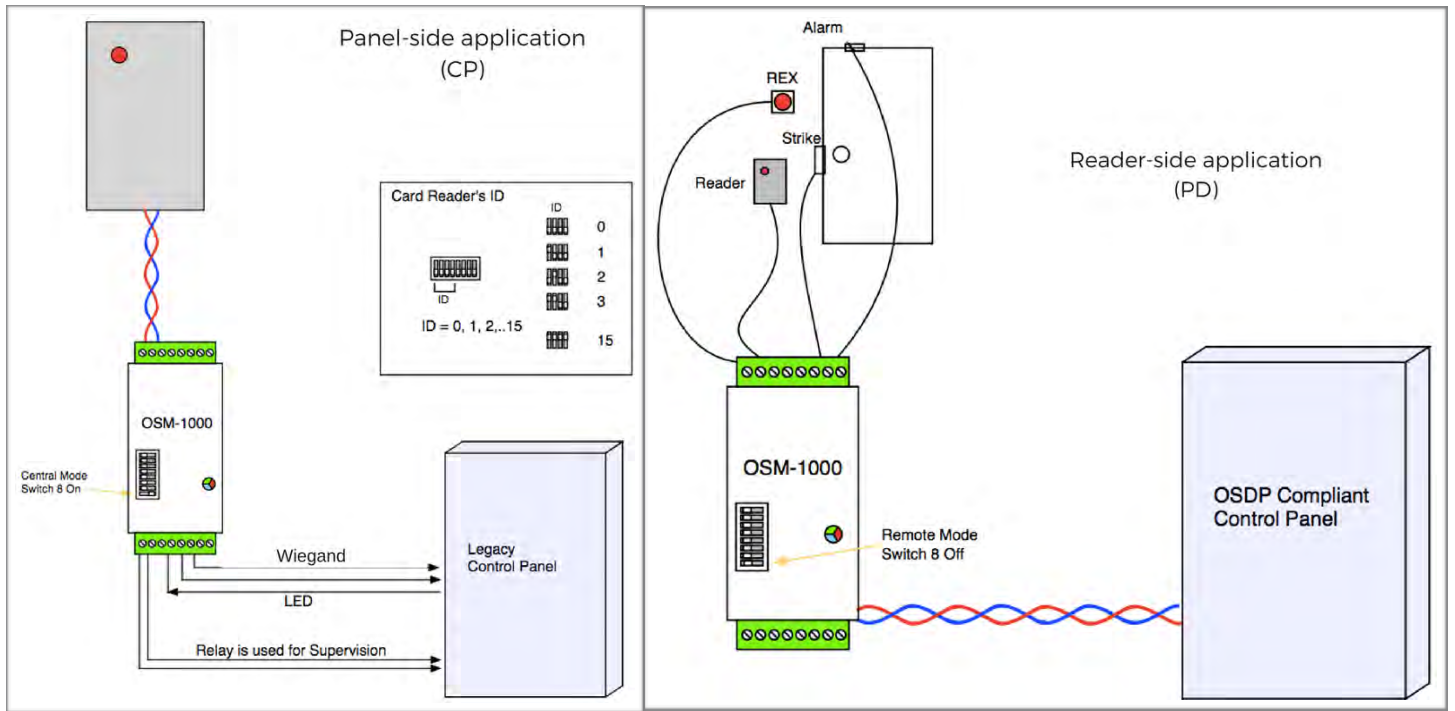
Already in wide use by many leading manufacturers like Cypress, HID Global, Mercury and others, the Security Industry Association encourages broad adoption of this standard and recommends specifying OSDP for any access control installations that require real security and/or will be used in government and other higher security settings. It is particularly valuable for government applications because OSDP meets federal access control requirements like PKI for FICAM.

Source: Security Industry Association

From <https://www.securityindustry.org/industry-standards/open-supervised-device-protocol/>

OSM-1000_180924





Specifications		
Ordering information	OSM-1000 (Board)	UPC: 816684007743
OSDP version	Open Supervised Device Protocol (OSDP™) v2.1.7	
Physical	Dimensions	3.24 x 1.51 x 0.70 inches
	Weight	0.05 lbs.
Electrical	8-16 Vdc	
Additional Features	Supports up to 256-bit Wiegand with GPIO including LED, REX/door position, lock and buzzer	
	Converts legacy Wiegand readers to OSDP protocol	
	Integrates legacy Wiegand panels with OSDP readers	

SIA's Open Supervised Device Protocol (OSDP) v2.1.7 communication standard benefits

- **Security:** OSDP Secure Channel halts Wiegand hacking with AES-128 encryption
- **Interoperability:** Mix-and-match devices to help future-proof systems
- **Functionality:** 2-way communication, access control that withstands the elements, multi-drop installations, 2 wires instead of 10+
- **Communication:** With OSDP's 2-way communication, the panel can query readers to find out capabilities, without physically reconfiguring devices. The panel is alerted if the reader does not answer its query.
- **Savings:** OSDP is scalable. It supports many more devices – and many more types of devices (such as readers, strike sensors and alarms) – than the Wiegand protocol.

Learn more at OSDP-Connect.com or CypressIntegration.com/OSDP